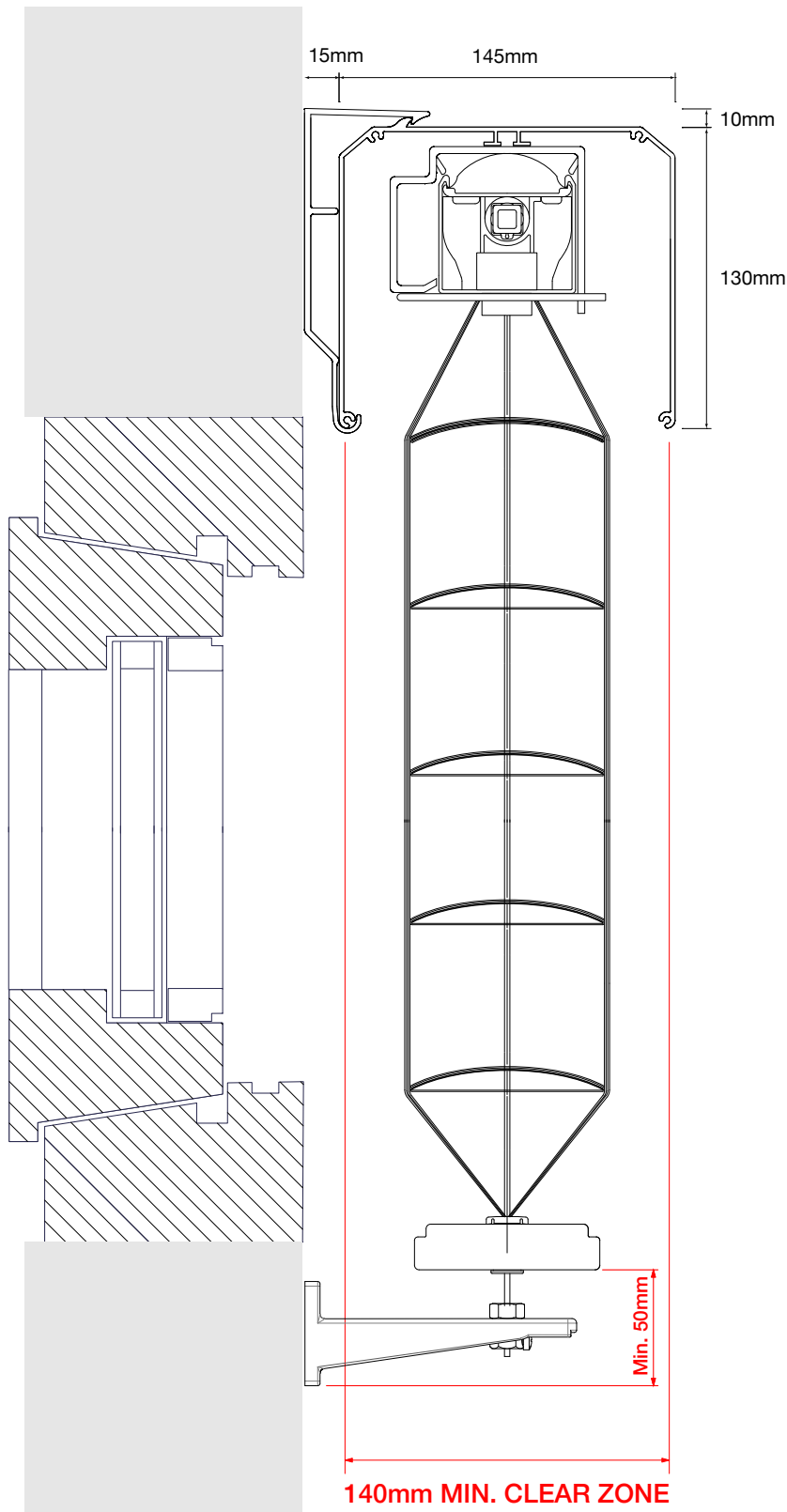


Vental Model 80 af - External Venetian Blind

Face Fitted Example with Cassette B Pelmet and Wire Guides

Ref: VA2001a



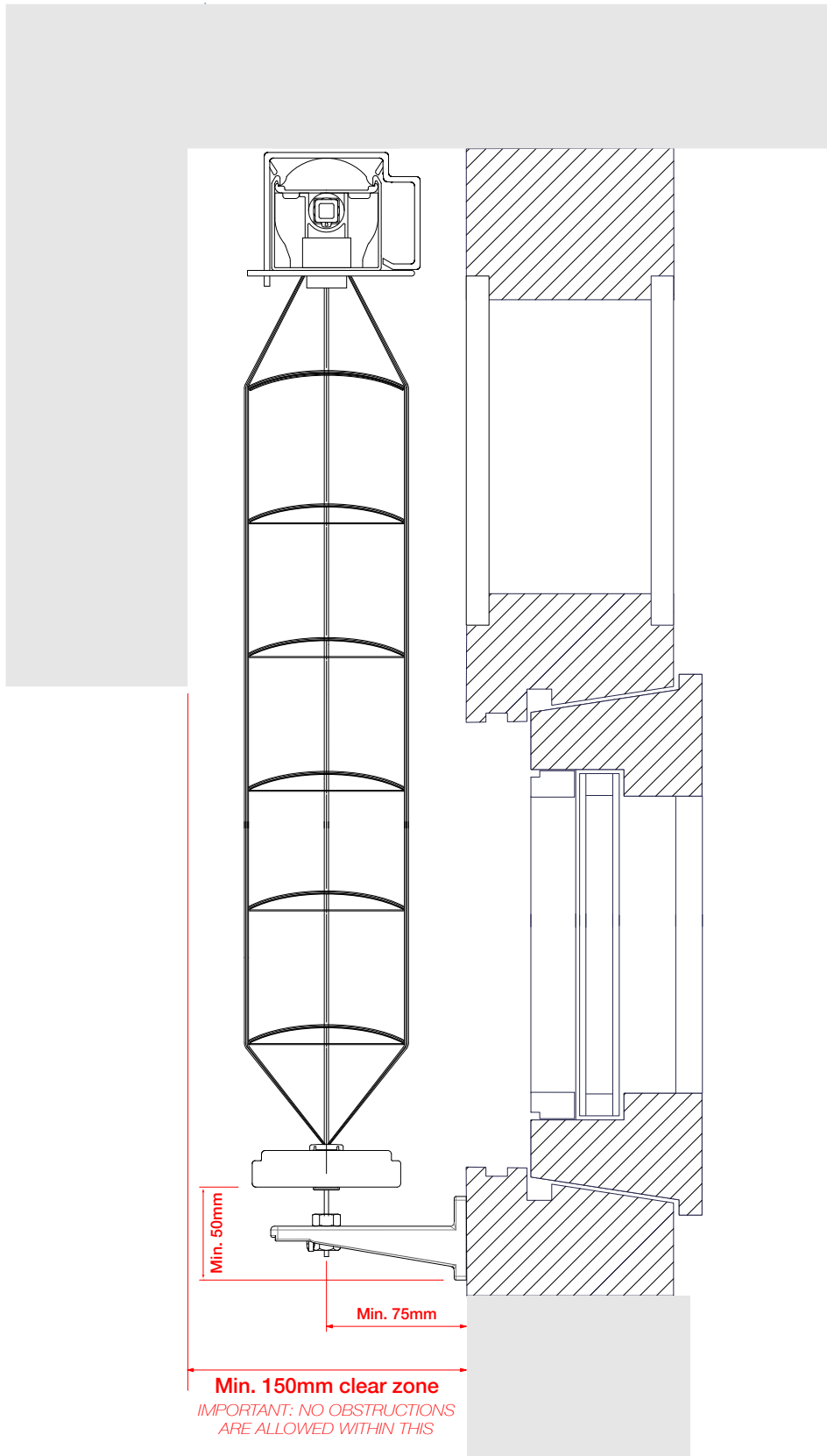
140mm MIN. CLEAR ZONE

*IMPORTANT: NO OBSTRUCTIONS
ARE ALLOWED WITHIN THIS ZONE*

Vental Model 80 af - External Venetian Blind

Recess Fitted Example with Wire Guides

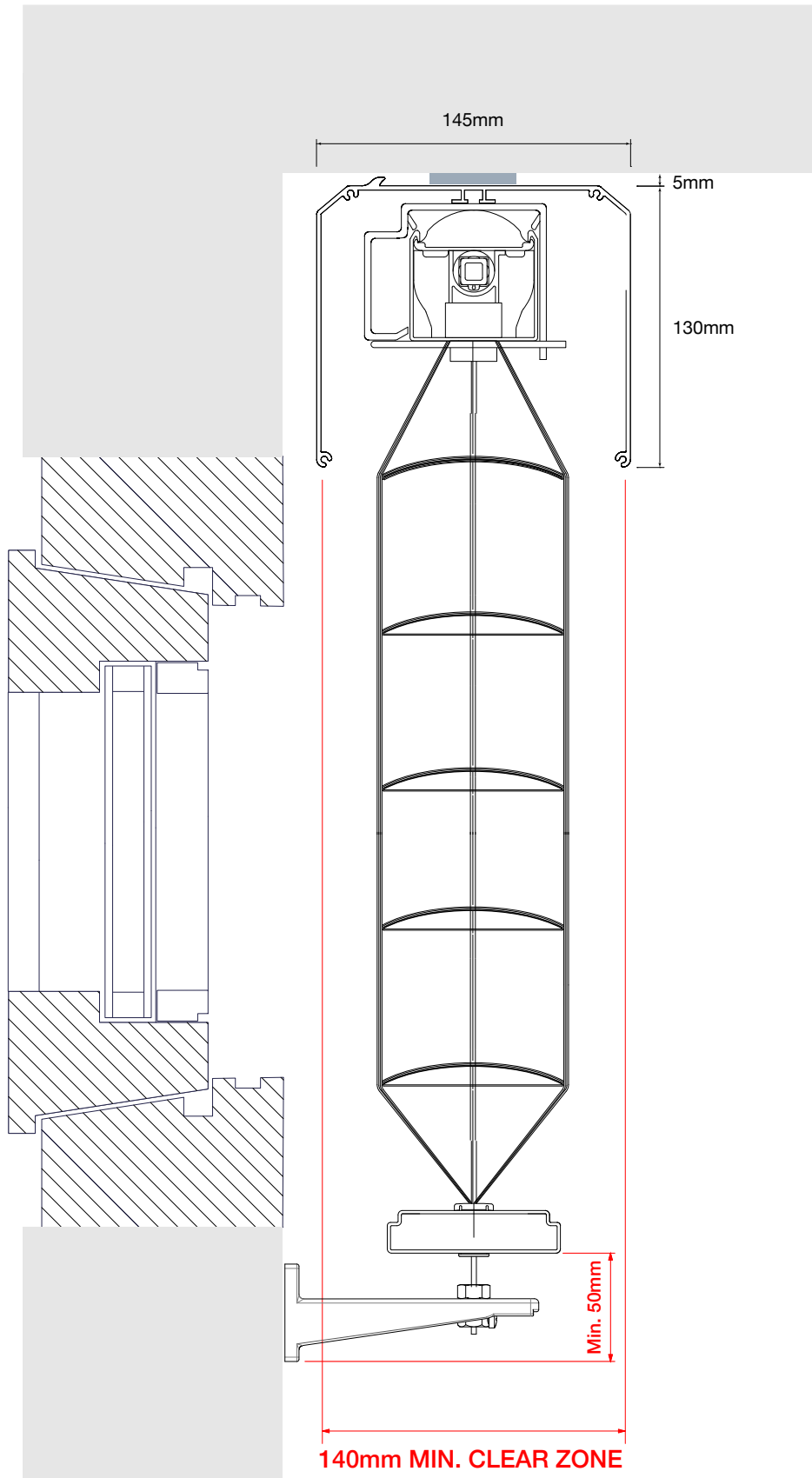
Ref: VA2002a



Vental Model 80 af - External Venetian Blind

Top Fitted Example with Cassette B Pelmet and Wire Guides

Ref: VA2003a



140mm MIN. CLEAR ZONE

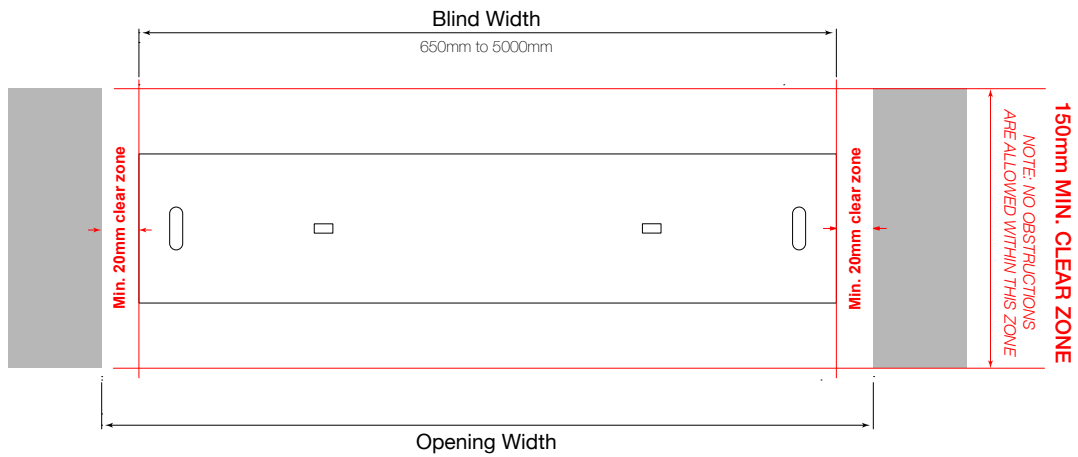
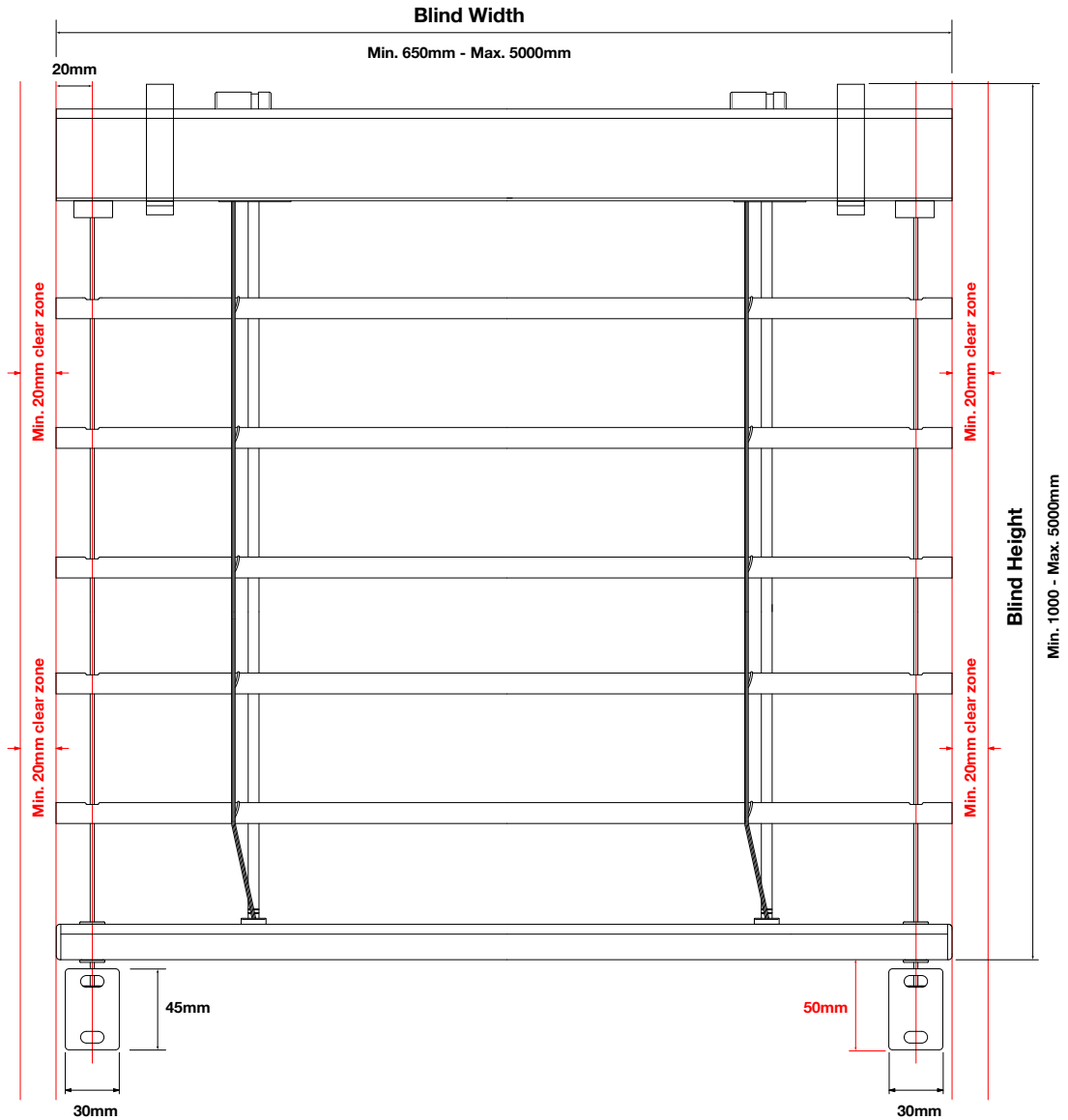
**IMPORTANT: NO OBSTRUCTIONS
ARE ALLOWED WITHIN THIS ZONE**

Vental Model 80 af - External Venetian Blind



Elevation and Plan - Dimension and Clearance Allowance

Ref: VA2010a



Vental Model 80 af - External Venetian Blind



Section of Blind Allowance Dimensions

Ref: VA2011a

