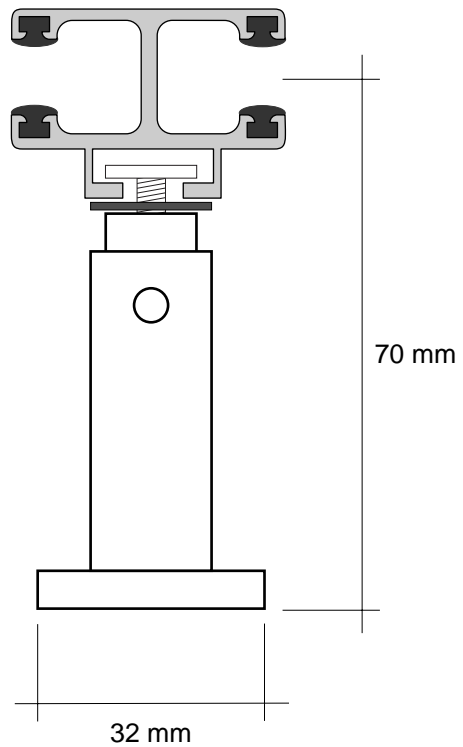
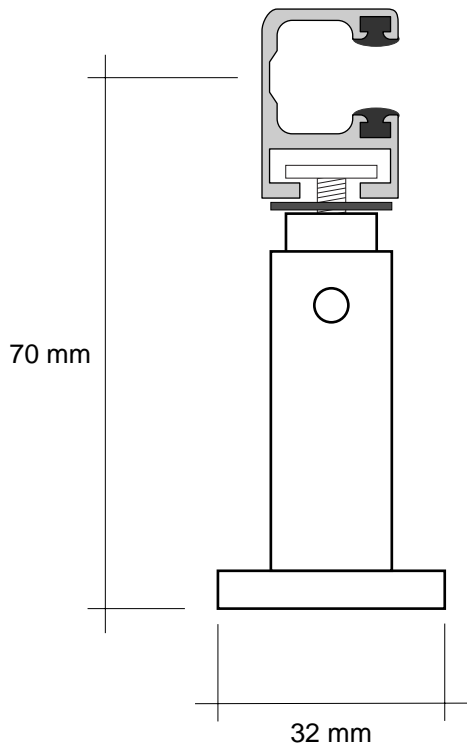
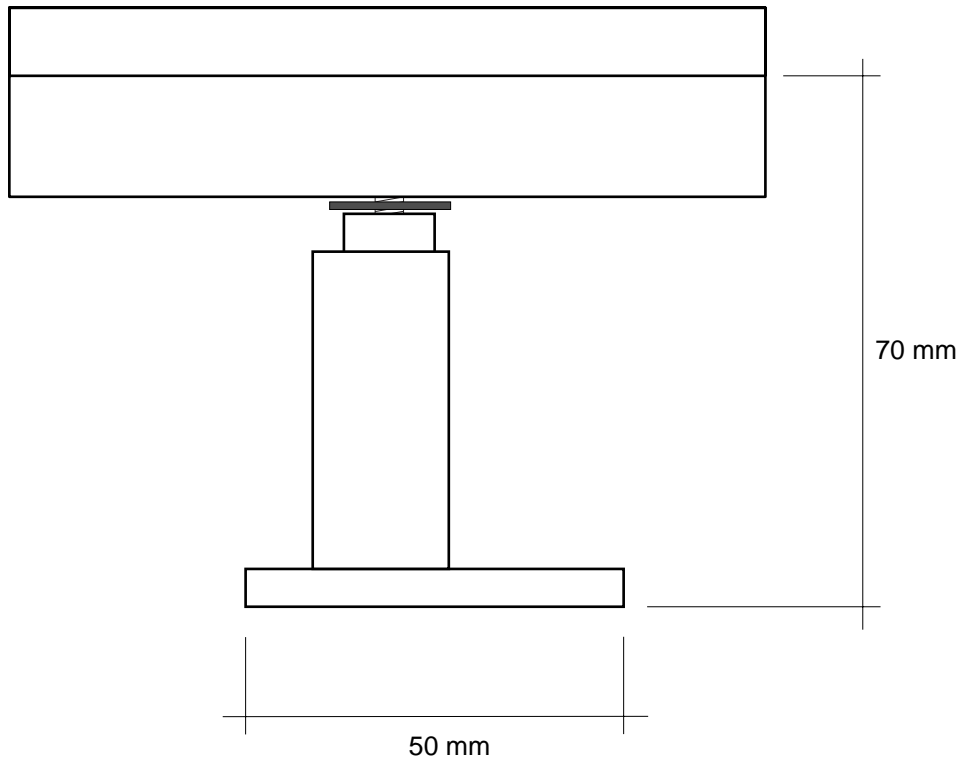


DRAWING SCALE 1:1



© 1999 Drawings remain the property of Vental Australia Pty. Ltd.

Vental AUSTRALIA

V80 STANDOFF - PLAN & SECTION VIEW

Dwg. No. V10202

Standoff brackets fitted to guide rails 300mm from the top and 200mm from the bottom with additional brackets at no more than 800mm spacing. Standard standoff length is 55-70mm. Optional lengths (available at extra cost) are 70-105mm, 105-170mm & 170-295mm.